

Signal Sources

10 kHz to 1 GHz AM/FM Signal Generator

2022D



- Wide frequency coverage: 10 kHz to 1 GHz
- Comprehensive amplitude, frequency and phase modulation
- +13 dBm output
- Simple operation
- Small, light and rugged for portability
- Reverse power protection up to 50 W
- Non-volatile memory with 100 settings
- Choice of output calibration units
- Powerful second functions for rapid fault finding and calibration
- Optional GPIB programmability

2022D Signal Generator is a compact, lightweight unit offering frequency, phase and amplitude modulation over the frequency range 10 kHz to 1 GHz. Output levels from -127 dBm up to +13 dBm are provided and the unit is designed for a wide range of applications in research development, production and maintenance. Microprocessor control provides simple and rapid operation via direct keyboard entry of settings. The non-volatile memory, which can store up to one hundred settings, further reduces measurement time. Full GPIB programmability adds greater flexibility and faster throughput in systems applications.

SIMPLE OPERATION

A simple keyboard layout ensures easy operation. All parameters are set using the numeric keys, while up and down keys allow the values to be varied in steps of any size. A TOTAL SHIFT key displays the deviation from the original setting and a RETURN key returns the selected parameter to the original value. All front-panel functions are available from GPIB when the optional GPIB interface board is fitted. Frequency, phase and amplitude modulation are selected by operation of the appropriate key, and for

on and off using the MOD ON-OFF key. Provision is made for operation with an external reference frequency of 1 MHz, 5 MHz or 10 MHz as required.

DISPLAY

Measurement settings are indicated on a large liquid crystal display, offering clarity and low power consumption. The display features 7-digit resolution for carrier frequency, 3 digits for modulation and 4 for RF level, with units annunciators for unambiguous reading. Status and diagnostic information are also shown. Carrier frequency, modulation and RF level are all shown together.

OUTPUT

RF output levels up to +13 dBm can be set on the 2022D in all modulation modes by direct keyboard entry or via the GPIB with a resolution of at least 0.1 dB over the entire range. Total level accuracy is ± 1 dB for output levels above -10 dBm and ± 2 dB below -10 dBm. Levels are indicated on a four-digit liquid crystal display with units annunciators and levels can be incremented in steps of any size.

Calibration data held in memory

Calibration data for the output level is

made for the simple conversion of units (eg dBm to μ V). Calibration data for the output level is held in the memory and may be altered from the front panel or over the interface bus.

Offset facility

The output level can be offset by up to ± 2 dB from the calibrated value to compensate for cable or switching losses external to the generator. The operator may also use this facility as a means of deliberately offsetting the output level to ensure that all generators in an area give identical measurements. While using the offsetting facility the main calibration of the generator is not lost and may be returned to at any time.

REVERSE POWER PROTECTION

An electronic trip protects the generator output against reverse power of up to 50 W, preventing damage to output circuits when RF or DC power is accidentally applied. This feature contributes to long unit life and low cost-of-ownership.

MODULATION

Comprehensive AM, FM and ϕ M facilities are provided for testing all types of receivers. Three modulation frequencies are provided as standard and a MOD ON-OFF key is fitted to allow signal-to-noise ratio checks to be made.

FM, AM and phase modulation

The wider range frequency modulation facility provides FM deviation up to a maximum of 999 kHz depending on modulation and carrier frequency, and excellent FM accuracy is assured by the storage of calibration values in the memory. Phase modulation is available with a deviation range of up to 9.99 radians and amplitude modulation is provided with steps of 0.5% up to 99.5% depth.

External modulation

External modulation is possible with a wide band input of 50 Hz to 50 kHz for FM, 50 Hz to 10 kHz for ϕ M and 20 Hz to 15 kHz (DC coupled) for AM. The characteristics of the FM input allow the digital signals commonly used in mobile radio to be handled. A modulation levelling function is included which can be disabled when not required. H and LO indications show when the input level is outside the range of the ALC system.

Auxiliary modulation input

2022D is fitted with a rear panel auxiliary modulation input socket which allows an external modulation signal (eg a sub-audible signalling tone) to be mixed with the

Modulation oscillator

2022D offers a choice of three internal modulation frequencies, 400 Hz, 1 kHz and 3 kHz, saving the need for external modulation signals in many routine applications.

INCREMENTING

All parameters can be incremented or decremented in steps of any size, which may be simply entered via the keyboard or GPIB. If no step size is entered for a parameter the steps are pre-set to 1 kHz for carrier frequency, 1 kHz for FM deviation, 1 radian for ϕ M deviation, 1% for AM depth and 1 dB for output level.

Single key operation

A single tap on either the UP or DOWN key moves the parameter by one step. If the key is held down the parameter steps once, waits one second and then moves at three steps per second. For search purposes it is possible to reverse this stepping direction without the one second delay.

NON-VOLATILE MEMORY

The inclusion of a true non-volatile semiconductor memory for storage of up to twenty complete generator settings and a further eighty carrier frequencies ensures that settings are retained even when the generator is switched off, without relying on a battery. Any of the sets of data can be instantly recalled when required for later use and the UP/DOWN keys may be used to step through a sequence of tests. A further feature enables a single group of preset measurement values to be recalled automatically at switch-on.

Stored calibration data

In addition to storage and recall of measurement settings, non-volatile memory contains other useful data. Calibration data — on RF level, FM accuracy and RF calibration units — are retained in these stores and may be altered using protected Second Functions. Output level offset values are also retained in the instrument's memories and may be selected or deselected by Second Function operation.

Stored status information

Status information stored includes: internal/external standard; GPIB address; type and serial number. Elapsed time indicators are also accessed via the internal memories. One stores the number of operational hours since the instrument was manufactured and cannot be altered. The other records the number of elapsed hours since the clock was last reset; re-settings being accomplished using a secure Second Function.

may be used to store a user-defined string. Up to 32 ASCII characters may be written to, or read from the unit, for example to record the instrument's inventory information, date of last calibration, normal instrument location etc.

PROGRAMMING

2022D can be simply fitted at any time with the optional GPIB interface so that all functions can be controlled over the bus. The instruments function as talker as well as listener. In the listen mode the generator's functions are set by simple instructions, and in the talk mode strings of information containing details of the instrument's settings can be sent back over the bus, allowing the controller to learn settings for later use.

Ease of programming

Ease of programming is ensured by careful selection of mnemonics. For example to send a carrier frequency of 123.456 MHz, an FM deviation of 3.5 kHz and an output level of 1.74 μ V, and to place these settings in store 10 of the memory, it is only necessary to send over the bus the instruction: CF123.456MZ, FM3.5KZ, LV1.74UV, ST10. The use of commas as delimiters in the instruction string is not essential but often aids interpretation of program lines.

Controlled service requests

Service requests (SRQs) are sent for a variety of reasons including reverse power protection tripped and illegal characters received. SRQs may be inhibited if desired by setting flags in the generator using a Second Function.

SECOND FUNCTIONS

The front panel Second Function key gives access to a number of different features available with 2022D. Some of these are related to maintenance, calibration and programmable operation via GPIB. To prevent accidental interference with the contents of internal memories, those Second Functions that enable the internal data to be altered are protected by a secure key sequence.

Protected calibration data

Two levels of protection are offered, appropriate to the Second Function being accessed. The most secure is reserved for Second Functions that alter the instrument's calibration data, change its identity string, protect its store settings or blank the displays when memories are recalled, less severe is the first level of protection, which enables the user to access those Second Functions that do not affect the fundamental calibration, but which may be selected to

level offsets, external standard frequency and switch-on status.

Additional operating features

In addition, unprotected Second Functions provide a range of additional operating features, such as the ability to display status information, elapsed time and the type and serial number.

MAINTENANCE AND CALIBRATION

The Second Function mode provides powerful fault diagnostic facilities from the front panel or via the GPIB by allowing the operator to send data directly to individual latches in the instrument. The resulting changes in output conditions can be monitored and the area in which the fault lies can be localized quickly.

Automatic calibration

RF level, FM accuracy and frequency accuracy can be adjusted without removing the instrument's covers. Level and FM accuracy can be adjusted over the GPIB, leading to fully automated calibration routines.

Rapid repair

Careful mechanical design of the instrument ensures rapid access to all circuits for PCB or component replacement. The main RF assemblies are easily removed for inspection and repair. Printed boards interconnect by means of plugs and sockets, so simplifying first-line maintenance.

SPECIFICATION

GENERAL DESCRIPTION

2022D is a synthesized signal generator covering the frequency range 10 kHz to 1 GHz. The output may be amplitude, phase or frequency modulated using either the built-in AF source or an external signal. All control settings are entered from a front panel keyboard. A single liquid crystal display gives simultaneous readout of frequency, modulation and output level. Remote control via the General Purpose Interface Bus is available as an accessory.

CARRIER FREQUENCY

Range

10 kHz to 1 GHz.

Selection

By keyboard entry.

Indication

7 digit LCD with units annunciators.

Displayed Resolution

10 Hz up to 100 MHz, 100 Hz above 100 MHz.

Accuracy

Equal to the frequency standard accuracy. See FREQUENCY STANDARD.

RF OUTPUT

Level

-127 to +13 dBm (0.2 μ V to 2V EMF). When AM is selected the maximum output power reduces linearly with AM depth to +7 dBm at maximum AM depth.

Selection

By keyboard entry. This mode is available as an accessory.

Signal Sources

2022D

Indication

4 digit LCD with units annunciators.

Displayed resolution

0.1 dB or better over the entire voltage range.

Output level accuracy

± 1 dB for output levels above -10 dBm. ± 2 dB for output levels below -10 dBm.

Output level flatness

Better than ± 0.5 dB from 10 kHz to 1 GHz for output levels above -7 dBm.

Output impedance

50 Ω , type N female socket to MIL 390123D. VSWR is better than 1.5:1 for output levels below -7 dBm.

Reverse power protection

An electronic trip protects the generator output against reverse power of up to 50 W from a 50 Ω source or up to 25 W with a source VSWR up to 5:1 for frequencies from DC to 1 GHz. The trip may be reset from the front panel or via the GPIB. For safety the protection is also provided when the instrument is switched off.

SPURIOUS SIGNALS

Harmonically related signals

For output levels up to $+7$ dBm:
Better than -35 dBc for carrier frequencies up to 62.5 MHz; typically better than -40 dBc.
Better than -25 dBc for carrier frequencies above 62.5 MHz; typically better than -35 dBc.

Sub-harmonics (at output levels below 0 dBm)

None for carrier frequencies up to 500 MHz, better than -20 dBc for carrier frequencies above 500 MHz.

Non-harmonically related signals

For output levels up to $+7$ dBm and at offsets from the carrier of 3 kHz or greater:
For carrier frequencies above 62.5 MHz, better than -70 dBc.
For carrier frequencies below 62.5 MHz, better than -55 dBc in the band up to 150 MHz, and better than -40 dBc in the band above 150 MHz.

Residual FM (with FM OFF)

Less than 7 Hz RMS deviation in a 300 Hz to 3 kHz bandwidth from 250 to 499 MHz and improving by approximately 6 dB per octave with reducing carrier frequency down to 62.5 MHz. Better than 3.5 Hz RMS below 62.5 MHz.

RF leakage

Less than 0.5 μ V PD generated in a 50 Ω load by a two-turn, 25mm loop, 25mm or more from the case of the generator, with the output level set to less than -10 dBm and the output terminated in a 50 Ω sealed load.

FREQUENCY MODULATION

Range

The maximum deviation available varies with carrier frequency range as shown in the table below:

Frequency Range	Maximum Deviation
500 MHz to 1 GHz	999 kHz
250 to 500 MHz	500 kHz
125 to 250 MHz	250 kHz
62.5 to 125 MHz	125 kHz
Below 62.5 MHz	100 kHz

Displayed resolution

10 Hz for deviations up to 9.99 kHz, 100 Hz for deviations from 10 kHz to 99.9 kHz and 1 kHz for deviations from 100 kHz to 999 kHz.

Selection

By front panel keyboard. Internal 400 Hz, 1 kHz or 3 kHz modulation or external input may be selected.

Indication

3 digit LCD with units annunciators.

Deviation accuracy

$\pm 5\%$ of deviation ± 20 Hz at 1 kHz modulating frequency excluding residual FM.

Frequency response

± 0.5 dB from 50 Hz to 50 kHz relative to 1 kHz, using external modulation input.
With ALC off the low frequency response is extended to

With the ALC off, can also be used for 10 Hz square wave switching with a peak deviation value limited to the lower of 999 kHz or 0.6 times the value obtained by the formula above.

Distortion

Less than 2% total harmonic distortion at 1 kHz modulating frequency and maximum deviation for any carrier frequency above 250 kHz.
Less than 0.5% total harmonic distortion at 1 kHz modulating frequency for deviations up to 25 kHz for any carrier above 250 kHz with MOD ALC off.

External modulation

With modulation ALC on the deviation is calibrated for input levels between 0.9V and 1.1V RMS sine wave. A HI or LO message is indicated in the modulation display if the applied level is outside the range of the ALC.
With modulation ALC off, the deviation is calibrated for an input level of 1V RMS sine wave.
Input impedance: 100 k Ω nominal.

PHASE MODULATION

Range

Peak deviation from 0 to 9.99 radians.

Displayed resolution

0.01 radians.

Selection

By front panel keyboard. Internal 400 Hz, 1 kHz or 3 kHz modulation or external input may be selected.

Indication

3 digit LCD with units annunciators.

Deviation accuracy

$\pm 5\%$ of deviation ± 0.02 radians at 1 kHz modulating frequency excluding residual phase modulation.

Frequency response

± 1 dB from 10 Hz to 10 kHz relative to 1 kHz, using external modulation input and with ALC off.
 ± 1 dB from 50 Hz to 10 kHz relative to 1 kHz using external modulation input and with ALC on.

Distortion

Less than 5% total harmonic distortion at 1 kHz modulating frequency and maximum deviation for any carrier frequency above 250 kHz.

External modulation

With modulation ALC on the deviation is calibrated for input levels between 0.9V and 1.1V RMS sine wave. A HI or LO message is indicated in the modulation display if the applied level is outside the range of the ALC.
With modulation ALC off, the deviation is calibrated for an input level of 1V RMS sine wave.
Input impedance: 100 k Ω nominal.

AMPLITUDE MODULATION

Range

0 to 99.5%.

Resolution

0.5%.

Selection

By front panel keyboard. Internal 400 Hz, 1 kHz or 3 kHz modulation or external input may be selected.

Indication

3 digits with units annunciators.

For peak output power levels up to $+9$ dBm.

Accuracy

Better than $\pm(4\%$ of depth setting $+ 1\%$) for 1 kHz modulating frequency and depths of 0 to 95% for carrier frequencies up to 62.5 MHz.
Better than $\pm(4\%$ of depth setting $+ 1\%$) for 1 kHz modulating frequency and depths of 0 to 80% for carrier frequencies up to 400 MHz.

Frequency response

± 0.5 dB from 50 Hz to 15 kHz relative to 1 kHz at 80% depth using external modulation input and ALC on.
DC coupled with ALC off.

Distortion

Less than 3% total harmonic distortion at 1 kHz modulating frequency for depths up to 80% for carrier

External modulation input

With modulation ALC on the deviation is calibrated for input levels between 0.9V and 1.1V RMS sine wave. A HI or LO message is indicated in the modulation display if the applied level is outside the range of the ALC.
With modulation ALC off, the modulation depth is calibrated for an input level of 1V RMS sine wave.
Input impedance: 100 k Ω nominal, DC coupled.

MODULATION OSCILLATOR

Frequency

400 Hz, 1 kHz or 3 kHz.

Selection

By repetitive pressing of the INT MOD FREQ key.

Indication

One of three LEDs lights to indicate which frequency is selected.

Frequency accuracy

$\pm 5\%$

Distortion

Less than 1% total harmonic distortion.

FREQUENCY STANDARD

Internal or external frequency standard may be selected from the front panel. Annunciators show which is selected.

INTERNAL FREQUENCY STANDARD

High stability oven-controlled crystal oscillator.

Frequency

10 MHz.

Temperature stability

Better than ± 0.2 PPM over the temperature range 0 to 40°C.

Warm-up time

Within 0.5 PPM of final frequency 5 min. from switch-on at 20°C ambient.

Aging rate

Better than 0.1 PPM per month after 1 month's continuous use at constant ambient temperature.

EXTERNAL FREQUENCY STANDARD

External standard input

Accepts a 10 MHz signal of at least 1V RMS into a 100 Ω nominal impedance. A 5 MHz or 1 MHz signal can be accepted by changing an internal link. Connection is via a rear panel BNC socket.

AUXILIARY INPUTS AND OUTPUTS

Modulation input/output

A front panel BNC socket provides an output from the modulation oscillator when internal modulation is selected and becomes the external modulation input when external modulation is selected. The input signal may be levelled by selecting the MOD ALC ON/OFF key. Two LCD annunciators, HI and LO, provide an aid to maintain calibrated modulation in the ALC ON mode.

Internal modulation oscillator output

1 V $\pm 10\%$ EMF from a nominal 600 Ω source. The output frequency is 400 Hz, 1 kHz or 3 kHz. Total harmonic distortion is less than 1%.

External modulation input

Input level nominally 1V RMS into 100 k Ω . See FREQUENCY MODULATION, PHASE MODULATION and AMPLITUDE MODULATION.

Alternative RF output socket

A blanked hole is provided so the RF output socket can be fitted to the rear panel.

Auxiliary modulation input

A rear panel BNC socket provides an auxiliary modulation input with a nominal sensitivity of 20% of the indicated modulation for a 1V RMS input. Input impedance 600 Ω nominal.

KEYBOARD AND DISPLAYS

Main keyboard functions

All instrument settings are controlled by the front panel keyboard. The main key functions are:

POWER OFF, 3, 8, 5, MHz

Settings are entered by selecting the required function, keying in the value and pressing the appropriate units key. Other functions provided are:

Δ
Increment key. When pressed before a function key, an increment value is entered for that function.

Up and Down
Increments or decrements the selected function.

TOTAL Δ
Displays total increment shift from last keyed-in value.

RET'N
Returns settings to last previously keyed-in value for the selected function. (In remote operation requests return to local control).

INT/EXT
If pressed after Carrier Freq, toggles between internal and external frequency standard. If pressed after AM or FM/PM toggles between internal and external modulation.

CARR ON-OFF
Toggles between RF output on and off.

MOD ON-OFF
Toggles between modulation on and off.

MOD ALC
In external modulation mode Toggles between* modulation ALC on and off. In internal modulation mode is used to select the modulation oscillator frequency.

STORE and RECALL
Provides storage and recall of instrument settings in non-volatile memory. Up to 20 complete instrument settings and up to 80 carrier frequencies may be stored.

SECOND FUNCT.
Selects second function entry mode.

Displays
A single liquid crystal display provides simultaneous readout of Carrier Frequency, Modulation and RF Level.

GPIB INTERFACE

A GPIB interface is available as an accessory. All functions except the supply switch are remotely programmable.

Capabilities
Complies with the following subsets as defined in IEEE488-1978 and IEC Publication 625-1. SH1, AH1, T6, TE0, L4, LE0, SR1, RL1, PPD, DC1, DT0, C0, E1.

RADIO FREQUENCY INTERFERENCE
Conforms with the requirements of EEC directive 76/889 and VDE 0871 as to limits of RF interference.

SAFETY
Complies with IEC 348.

RATED RANGE OF USE
(Over which full specification is met).

Temperature
0 to 55°C.

CONDITIONS OF STORAGE AND TRANSPORT

Temperature
-40°C to +70°C.

Humidity
Up to 90% relative humidity at 40°C.

Altitude
Up to 2500m (pressurised freight at 27 kPa differential, i.e. 3.9 lb/in²).

POWER REQUIREMENTS

AC supply
Switchable voltage ranges: 105 to 120V, 210 to 240V, all ±10%. 45 Hz to 400 Hz. 55 VA maximum.

DIMENSIONS AND WEIGHT
(Not including handle forward projection)

Dimensions	Height	Width	Depth	Weight
	152 mm	256 mm	367 mm	7.5 kg (16.5 lb)
	6 in.	10.25 in.	14.5 in.	

VERSIONS AND ACCESSORIES

When ordering please quote the full ordering number information

Ordering numbers	Versions
2022D	2022D 10 kHz to 1 GHz Signal Generator.
	Supplied Accessories AC supply lead Operation Manual
	Optional Accessories Front Panel Protective Cover, Service Manual for 2022D GPIB Module, GPIB Lead Assembly, GPIB Manual, H54811-010P (contains details of general GPIB protocols), Rack Mounting Kit (Single Unit), RF Connector Cable, TM 4969/3, 50 Ω, 1.5 m, BNC, Coaxial Adapter, N male to BNC female, RF Connector Cable, 1 m, Type N connectors, Impedance Adapter, 50 to 75 Ω, BNC Connectors, IEEE/IEC Adapter Block for GPIB socket, LabWindows™ driver for 2022 series.
54124-023J	
46882-002O	
54433-003N	
43129-189U	
46881-365R	
46884-502Z	
43126-012S	
54311-092P	
54311-095C	
54411-051X	
46883-408K	
59000-183S	

An RF level offset capability allows the output level to be varied relative to the indicated value to compensate for external cable losses or to ensure that all instruments in a particular area give identical results.

Modulation

Amplitude, frequency and phase modulation can be provided by internal or external sources. AM depth can be set in 0.5% steps up to 99.5%, FM deviation up to 999 kHz and phase modulation up to 9.99 radians. An auxiliary modulation input allows dual modulation to be applied for receiver testing. An internal modulation oscillator provides switch selected frequencies of 400 Hz, 1 kHz and 3 kHz.

Front panel

All data and units selected are visible on a single liquid crystal display. Data is entered on a keyboard that has been designed to be simple and logical to use. Carrier frequency, modulation and RF level functions may be incremented or decremented using the ↑ (UP) and ↓ (DOWN) keys. Non-volatile store and recall facilities are also provided using an electrically alterable read only memory that does not require a battery back-up system. A front panel cover for protecting the instrument in transit is available as an accessory.

Second function mode of operation

This enables a number of auxiliary functions such as setting the GPIB address, selection of alternative RF level calibration units, access to various calibration routines and an aid to diagnostic fault finding via the internal instrument bus.

PERFORMANCE DATA

Carrier frequency

Range:	10 kHz to 1 GHz.
Displayed resolution:	10 Hz up to 100 MHz, 100 Hz above 100 MHz.
Selection:	By keyboard entry.
Accuracy:	Equal to the frequency standard accuracy – see under 'Frequency standard'.
Indication:	7 digit LCD with units annunciation.

RF output

Level:	-127 to +13 dBm. (0.2 μ V to 2 V EMF). When AM is selected the maximum output power reduces linearly with AM depth to +7 dBm at maximum AM depth.
--------	---

Selection:	By keyboard entry. Units may be μV , mV EMF or PD; dB relative to 1 μV , 1 mV, 1 V EMF or PD; dBm. Conversion between dB and voltage units may be achieved by pressing the appropriate units key (dB or V, mV, μV).
Output impedance:	50 Ω , Type N female socket to MIL 39012/3D.
VSWR:	Better than 1.5:1 for output levels below -7 dBm.
Reverse power protection:	An electronic trip protects the generator output against reverse power of up to 50 W from a 50 Ω source and 25 W with a source VSWR up to 5:1 for frequencies from DC to 1 GHz. The trip may be reset from the front panel or via the GPIB. For safety the protection is also provided when the instrument is switched off.
Output level flatness:	Better than ± 0.5 dB from 10 kHz to 1 GHz for RF levels above -7 dBm.
Output level accuracy:	± 1 dB for output levels above -10 dBm. ± 2 dB for output levels below -10 dBm.
Displayed resolution:	0.1 dB or better over the entire voltage range.
Indication:	4 digit LCD with units annunciators.

Spurious signals

Harmonically related signals for output levels up to +7 dBm:	Better than -35 dBc (typically better than -40 dBc) for carrier frequencies up to 62.5 MHz. Better than -25 dBc (typically better than -35 dBc) for carrier frequencies above 62.5 MHz.
Sub-harmonics for output levels below 0 dBm:	None for carrier frequencies up to 500 MHz, better than -20 dBc for carrier frequencies above 500 MHz.
Non-harmonically related signals for output levels up to +7 dBm and at offsets from the carrier of 3 kHz or greater:	For carrier frequencies above 62.5 MHz, better than -70 dBc. For carrier frequencies below 62.5 MHz, better than -55 dBc in the band up to 150 MHz, and better than -40 dBc in the band above 150 MHz.

Single sideband phase noise: Typically less than -120 dBc/Hz at 470 MHz, Typically less than -130 dBc/Hz at 150 MHz.

Residual FM: (with FM off) Less than 7 Hz RMS deviation in a 300 Hz to 3 kHz bandwidth from 250 to 499 MHz and improving by approximately 6 dB per octave with reducing carrier frequency down to 62.5 MHz.
Better than 3.5 Hz RMS below 62.5 MHz.

RF leakage: Less than 0.5 μ V PD generated in a 50 Ω load by a two turn 25 mm loop, 25 mm or more from the case of the generator, with the output level set to less than -10 dBm and the output terminated in a 50 Ω sealed load.

Frequency modulation

Range: The maximum deviation available varies with carrier frequency range as shown in the table below:

Frequency range	Maximum deviation
500 MHz – 1 GHz	999 kHz
250 to 500 MHz	500 kHz
125 to 250 MHz	250 kHz
62.5 to 125 MHz	125 kHz
Below 62.5 MHz	100 kHz

Displayed resolution: 10 Hz for deviations up to 9.99 kHz.
100 Hz for deviations from 10 kHz to 99.9 kHz.
1 kHz for deviations from 100 kHz to 999 kHz.

Selection: By front panel keyboard. Internal 400 Hz, 1 kHz or 3 kHz modulation or external input may be selected.

Deviation accuracy: $\pm 5\%$ of deviation ± 20 Hz at 1 kHz modulating frequency excluding residual FM.

Frequency response: ± 0.5 dB from 50 Hz to 50 kHz relative to 1 kHz, using external modulation input.

With ALC off the low frequency response is extended to 10 Hz with a peak deviation value limited to the lower of 999 kHz or $[0.047 \times \text{Modulation Freq. (in Hz)} \times \{\text{Carrier Freq. (in MHz)} + 160 \text{ (if Carrier Freq. is below 62.5 MHz)}\}]$ kHz.

With ALC off can also be used for 10 Hz square wave switching with a peak deviation value limited to the lower of 999 kHz or 0.6 times the value obtained by the formula above.

Distortion:	Less than 2% total harmonic distortion at 1 kHz modulation frequency and maximum deviation for any carrier above 250 kHz. Less than 0.5% total harmonic distortion at 1 kHz modulation frequency for deviations up to 25 kHz for any carrier frequency above 250 kHz with ALC off.
External modulation:	With modulation ALC on, the deviation is calibrated for input levels between 0.9 V and 1.1 V RMS. A HI or LO message is indicated in the modulation display if the applied level is outside the range of the ALC. With modulation ALC off, the deviation is calibrated for an input level of 1 V PD. Input impedance is 100 k Ω nominal.
Indication:	3 digit LCD with units annunciators.

Phase modulation

Range:	Peak deviation from 0 to 9.99 radians.
Displayed resolution:	0.01 radian.
Selection:	By front panel keyboard. Internal 400 Hz, 1 kHz or 3 kHz modulation or external input may be selected.
Deviation accuracy:	$\pm 5\%$ of deviation ± 0.02 radian at 1 kHz modulating frequency excluding residual phase modulation.
Frequency response:	± 1 dB from 10 Hz to 10 kHz relative to 1 kHz using external modulation input and ALC off. ± 1 dB from 50 Hz to 10 kHz relative to 1 kHz using external modulation input and ALC on.
Distortion:	Less than 5% total harmonic distortion at 1 kHz modulating frequency and maximum deviation for any carrier frequency above 250 kHz.

External modulation: With modulation ALC on the deviation is calibrated for input levels between 0.9 and 1.1 V RMS. A HI or LO message is indicated in the modulation display if the applied level is outside the range of the ALC. With modulation ALC off the deviation is calibrated for an input level of 1 V PD.

Input impedance is 100 k Ω nominal.

Indication: 3 digit LCD with units annunciators.

Amplitude modulation

Range: 0 to 99.5%.

Resolution: 0.5%.

Selection: By front panel keyboard. Internal 400 Hz, 1 kHz or 3 kHz modulation or external input may be selected.

Accuracy: For peak output power levels up to +9 dBm: Better than $\pm(4\%$ of depth setting +1%) for 1 kHz modulating frequency and depths up to 95% for carrier frequencies up to 62.5 MHz. Better than $\pm(4\%$ of depth setting +1%) for 1 kHz modulating frequency and depths up to 80% for carrier frequencies up to 400 MHz.

Frequency response: ± 0.5 dB from 50 Hz to 15 kHz relative to 1 kHz at 80% depth using external modulation input, ALC on and DC coupled with ALC off.

Distortion: Less than 3% total harmonic distortion at 1 kHz modulating frequency for depths up to 80% for carrier frequencies up to 400 MHz. Less than 5% total harmonic distortion at 1 kHz modulating frequency for depths up to 95% for carrier frequencies up to 62.5 MHz.

External modulation accuracy: With modulation ALC on the modulation depth is calibrated for input levels between 0.9 and 1.1 V RMS. A HI or LO message is indicated in the modulation display if the level is outside the range of the ALC. With modulation ALC off the modulation depth is calibrated for an input level of 1 V PD. Input impedance is nominally 100 k Ω , DC coupled.

Indication: 3 digit LCD with units annunciators.

Modulation oscillator

Frequency:	400 Hz, 1 kHz and 3 kHz.
Selection:	By repetitive pressing of the INT MOD FREQ key.
Frequency accuracy:	$\pm 5\%$.
Distortion:	Less than 1% total harmonic distortion.
Indication:	One of three LEDs lights to indicate which frequency is selected.

Frequency standard

Internal or external frequency standard may be selected from the front panel. Annunciators show which is selected.

Internal frequency standard

High stability, oven controlled oscillator.

Frequency:	10 MHz.
Temperature stability:	Better than ± 0.05 ppm over the temperature range 0 to 40°C.
Aging rate:	Better than 0.3 ppm per year after one month's continuous use at constant ambient temperature.
Warm up time:	Within 0.5 ppm of final frequency 5 minutes from switch-on at ambient 20°C.

External frequency standard

External standard input:	Accepts a 10 MHz signal of at least 1 V RMS into a 100 Ω nominal impedance.
	A 5 MHz or 1 MHz signal can be accepted by changing an internal link. Connection is via a rear panel BNC socket.

Auxiliary inputs and outputs

Modulation input/output:	A front panel BNC socket provides an output from the modulation oscillator when internal modulation is selected and becomes the external modulation input when external modulation is selected.
Internal modulation oscillator output:	1 V $\pm 10\%$ EMF from a nominal 600 Ω source.
External modulation input:	Input level nominally 1 V RMS into 100 k Ω – see under 'Modulation' for details.
Alternative RF output socket:	A blanked hole is provided so that the RF output socket can be fitted to the rear panel.

GENERAL INFORMATION

Auxiliary modulation input: A rear panel BNC socket provides an auxiliary modulation input with a nominal sensitivity of 20% of the set modulation for a 1 V RMS input.

Input impedance 600 Ω nominal.

GPIB interface:

A GPIB interface is available as an optional accessory and can be easily fitted by the user. All functions except the SUPPLY ON switch are remotely programmable.

Capabilities:

Complies with the following subsets as defined in IEEE 488 - 1978 and IEC Publication 625-1: SH1, AH1, T6, TE0, L4, LE0, SR1, RL1, PP0, DC1, DT0, C0, E1.

Conditions of storage and transport

Temperature: -40°C to $+70^{\circ}\text{C}$.

Humidity: Up to 90% relative humidity at 40°C .

Altitude: Up to 2500 m (pressurised freight at 27 kPa differential i.e. 3.9 lbf/in²).

Rated range of use (over which the full specification is met)

Temperature: 0 to 55°C .

Safety:

This instrument is designed to comply with the requirements of IEC/EN61010-1 for Class I portable equipment and is for use in a pollution degree 2 environment. The equipment is designed to operate from installation supply category II.

Electro-magnetic compatibility

Conforms to the protection requirements of EEC Council Directive 89/336/EEC by complying with the following standards:-

EN 55011 Class B	CISPR 11
EN 50082-1	IEC 801-2, 3, 4
EN60555-2	IEC 555-2

Power requirements

AC supply: Switchable voltage ranges, all $\pm 10\%$:-
105 to 110 V, 115 to 120 V,
210 to 220 V, 230 to 240 V.
45 to 400 Hz.
70 VA max.

Dimensions and Weight

Height: 152 mm (6 in)
Width: 256 mm (10 in)
Depth: 367 mm (14.5 in) (Excluding handle projection)
Weight: 7.5 kg (16.5 lb)

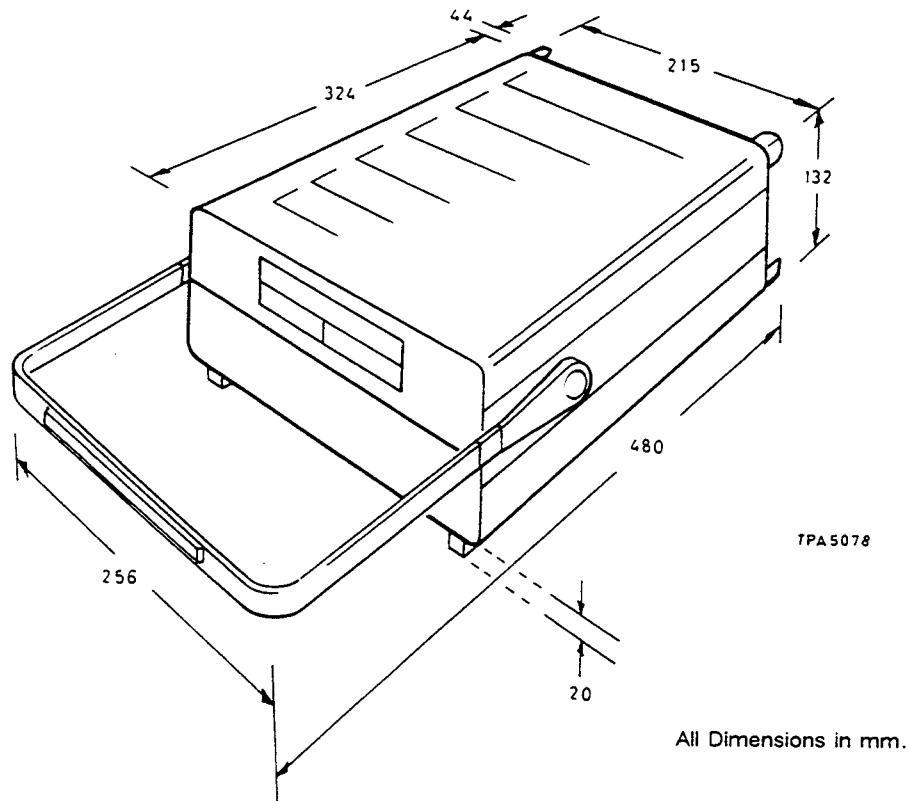


Fig. 1-2 Case dimensions